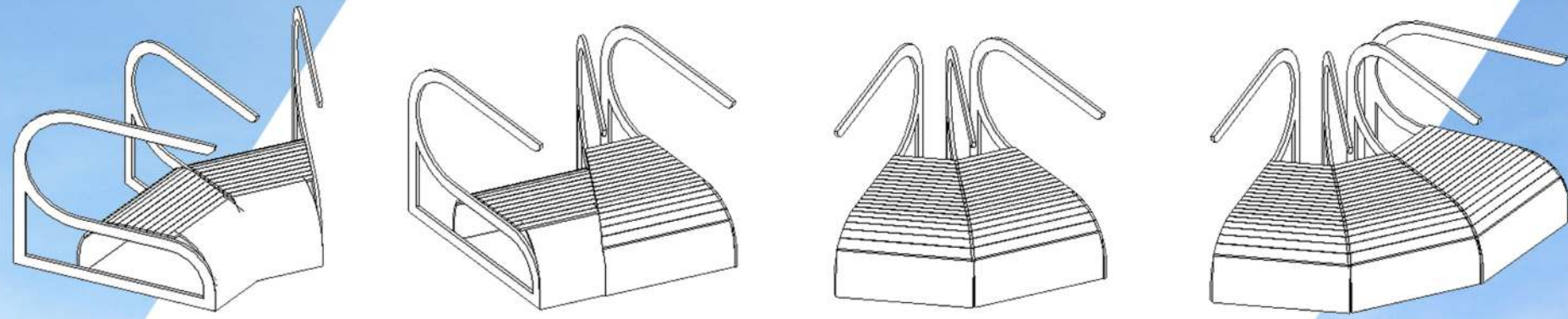


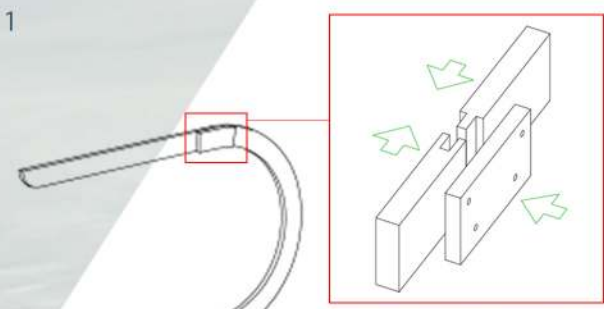
210° VIEW ANGLE



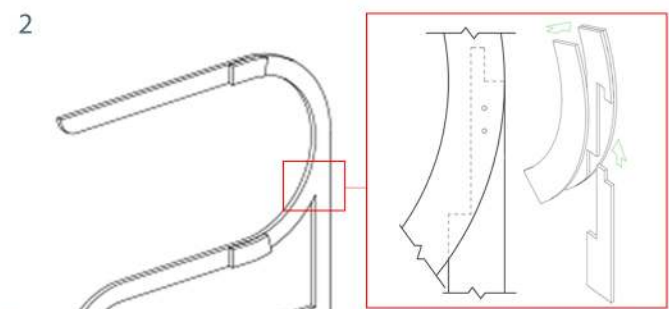
LAYOUT OF THE FRAMES CAN BE ADJUSTED TO SUIT EVERY BEACH



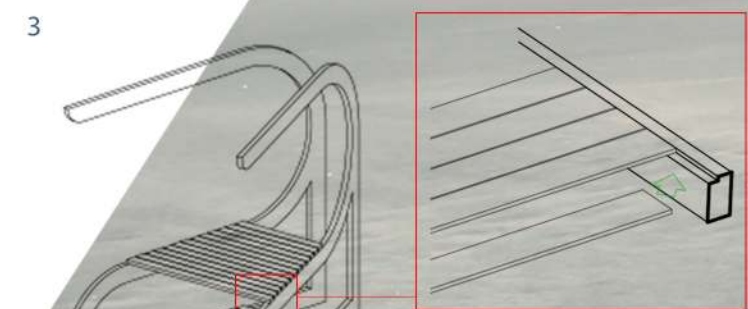
FRONT ELEVATION



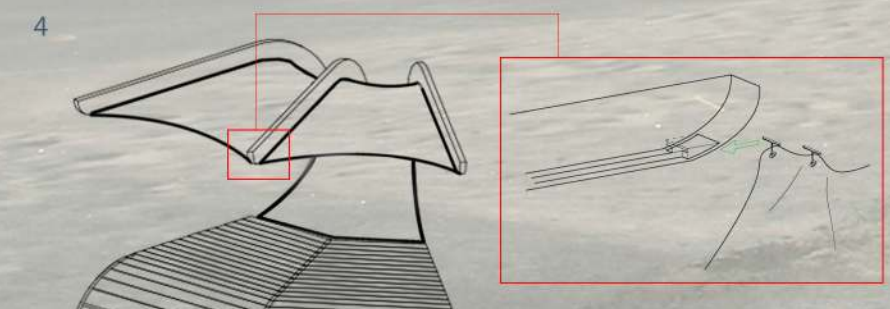
1 TONGUE AND GROOVE JOINERY WITH BRACING ON THE CANTILEVERED FRAME



2 THE CANTILEVERED FRAME 'SITS' ON THE BASE FRAME FOR SUPPORT AND IS FIXED



3 DECKING TIMBER IS LAID ONTO GROOVES OF THE BASE FRAME THEN FIXED



4 PULL SHADE SAILS THROUGH TRACKS OF THE CANTILEVERED FRAME UNTIL TAUGHT

LIFE GUARD TOWER

LIFE GUARD TOWER

FLAT-PACKED AND EASILY ASSEMBLED, THIS DESIGN MAKES FOR AN EXCELLENT FUNCTIONAL AND VISUALLY APPEALING LIFEGUARD TOWER. INTENDED FOR SEASONAL USE, IT CAN BE ADJUSTED TO SUIT DIFFERENT LOCATIONS. ITS CURVATURE IS REMINISCENCE OF A WAVE AND IS CONSTRUCTED USING RECYCLED PLYWOOD, PRE-FABRICATED AND ASSEMBLED ON-SITE.

