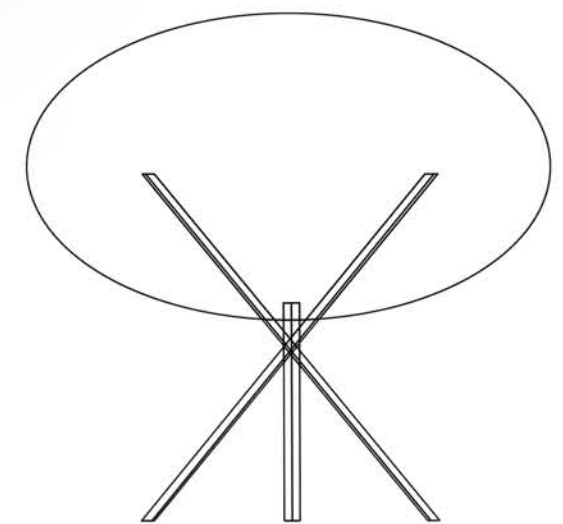
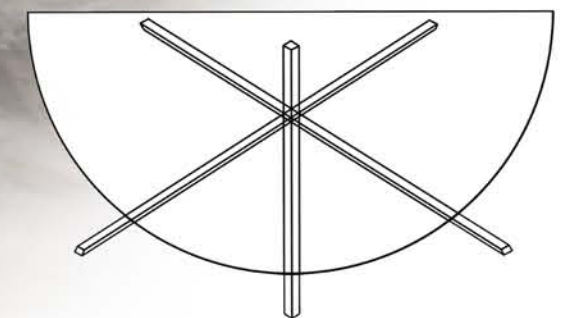
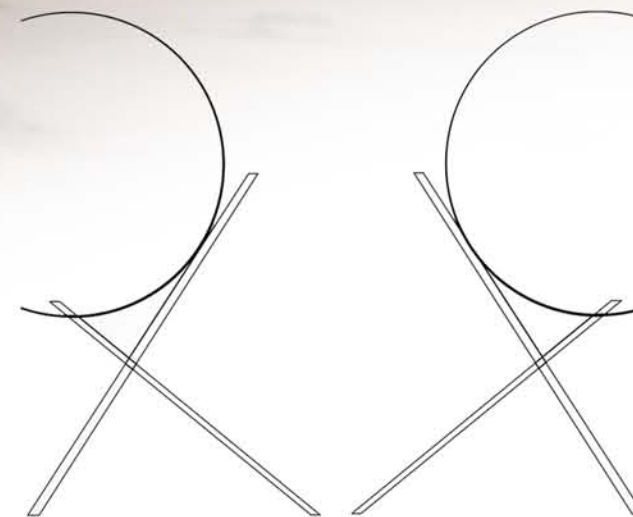
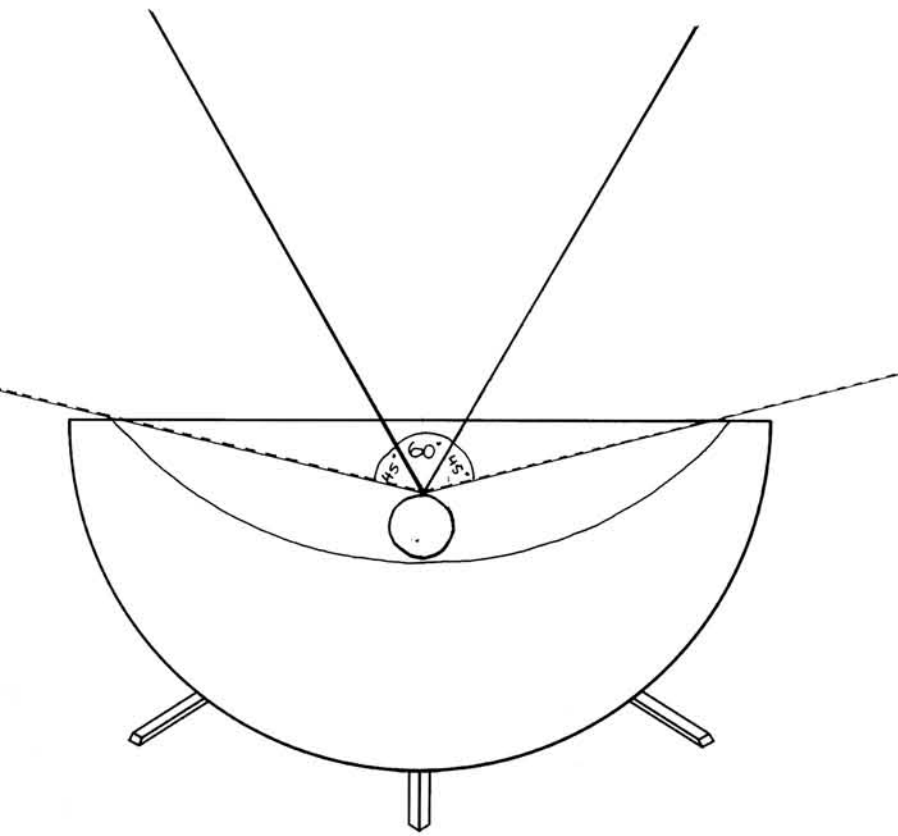


The Pod

The purpose of the Pod is to provide NZ beaches with a new more commanding yet organic surf life saving tower. Large storage and innovative capabilities set out a prosperous future for the Pod.

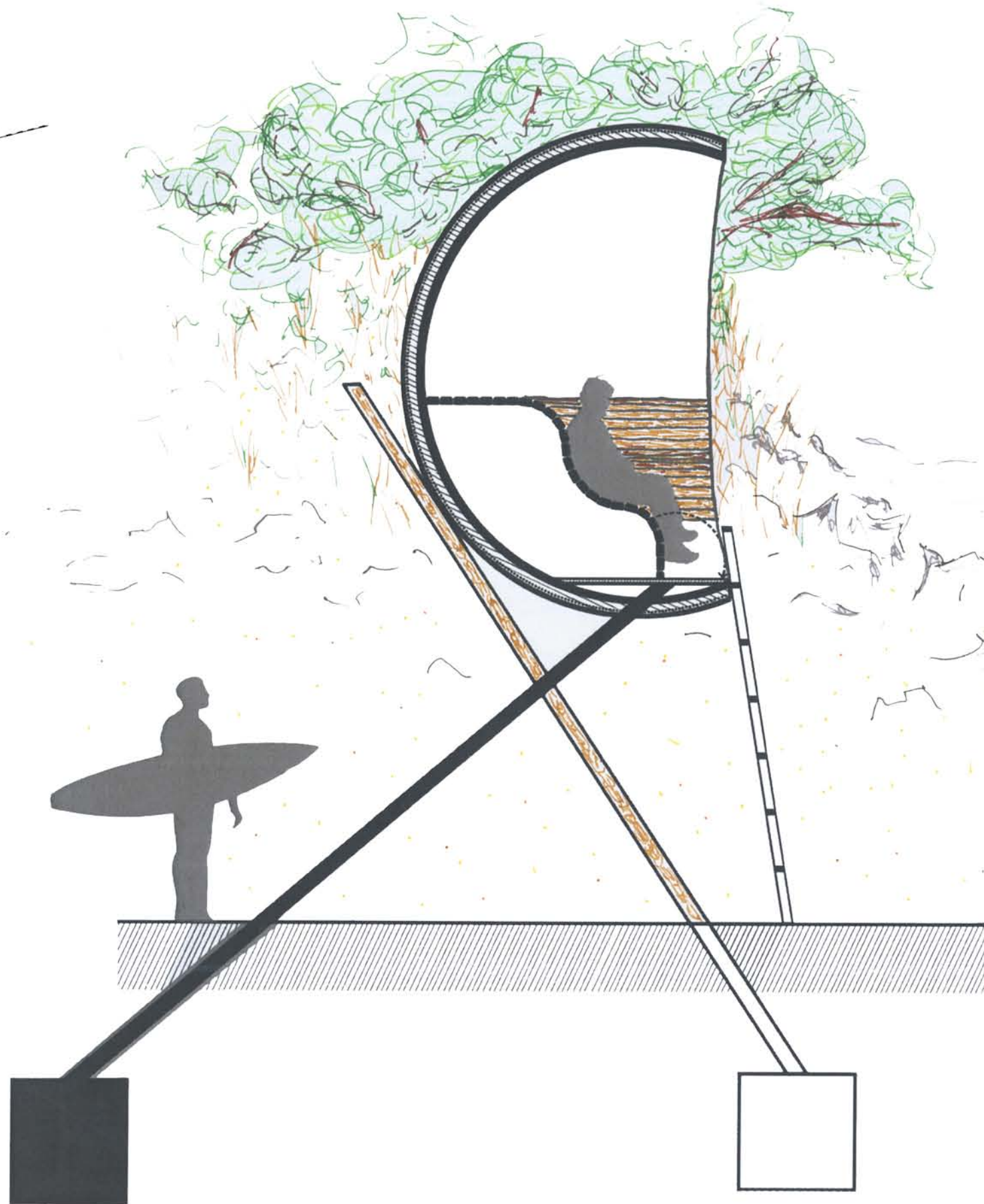




Adequate vision from seating



Lockable front for equipment storage and weather proofing



Storage space is available under the seating area, as well as a slide down ladder for the Life Guard, providing a quick exit.



Create an aluminium frame



Paper layered interior and exterior



Coat with a water proof heat shrink wrap

